



Micromatic

LP Models

150 PSI

LOW PRESSURE PNEUMATIC

5 Standard Sizes

150 PSI

Up to 570 in/lbs of Torque

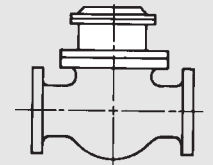
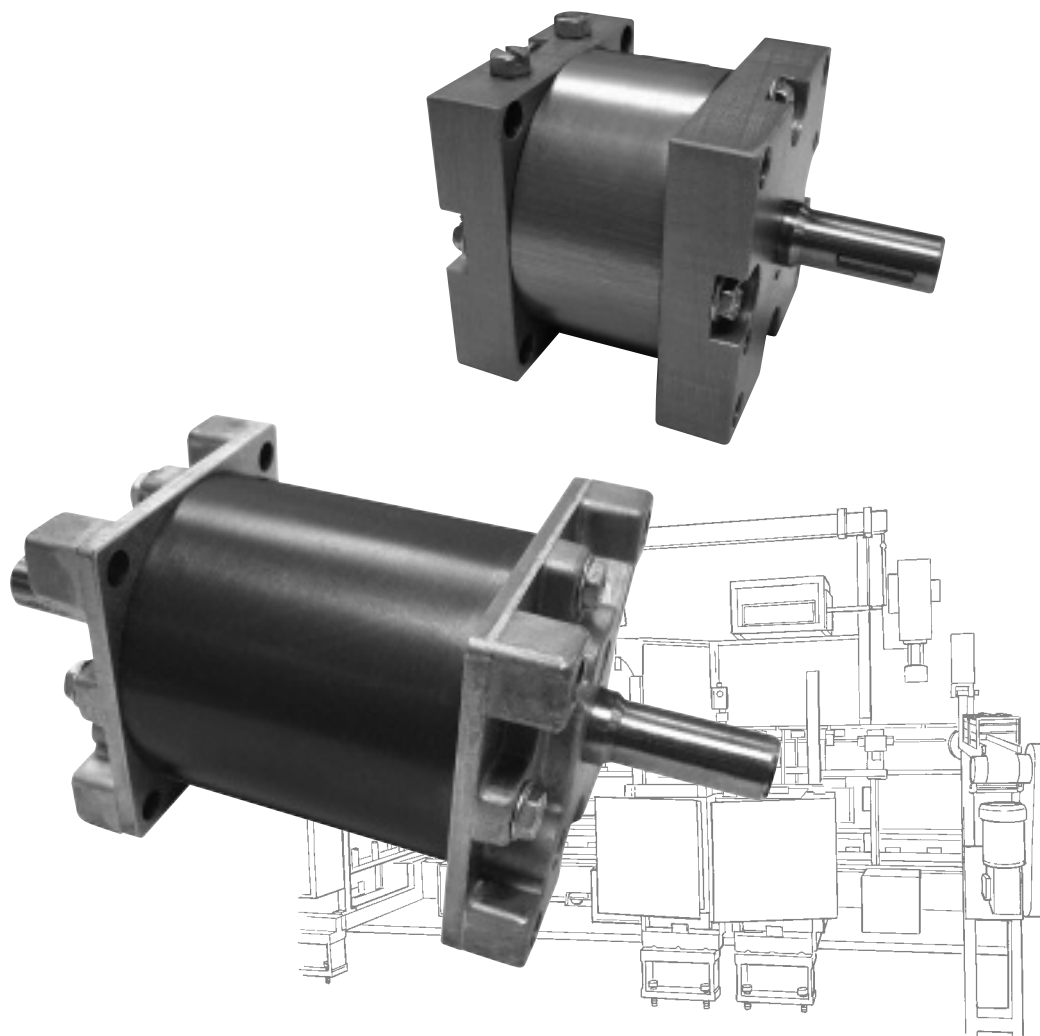
Small - As Light As 10 oz.

Quick Delivery

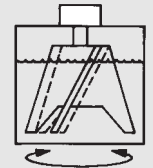
Economical

Adjustable Stop Control

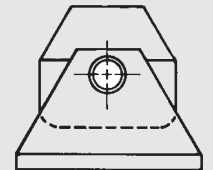
Electrical End Position Indicator



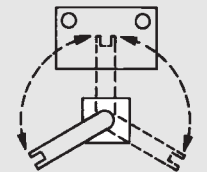
VALVE OPEN—CLOSE



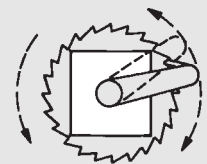
MIX—STIR



TURNOVER—DUMP



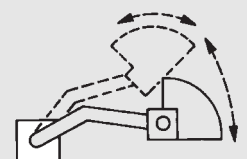
LOAD—POSITION—UNLOAD



CONTINUOUS ROTATION



TURN—OSCILLATE



MATERIAL HANDLING

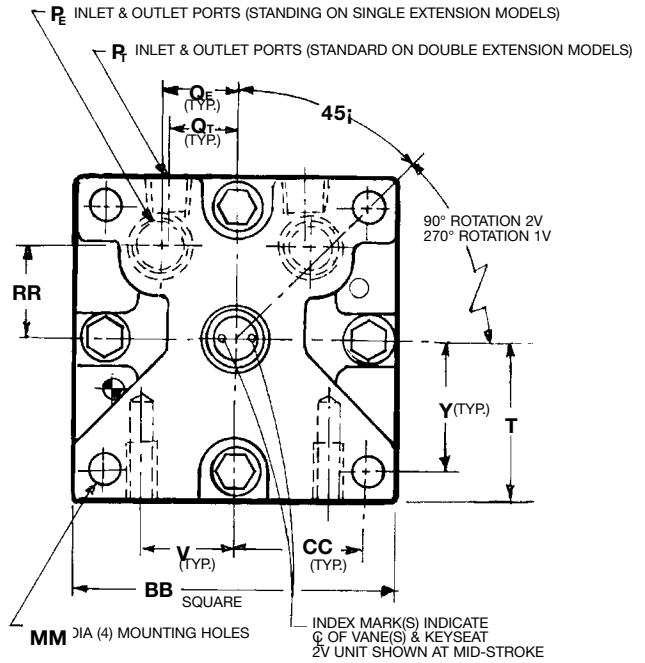
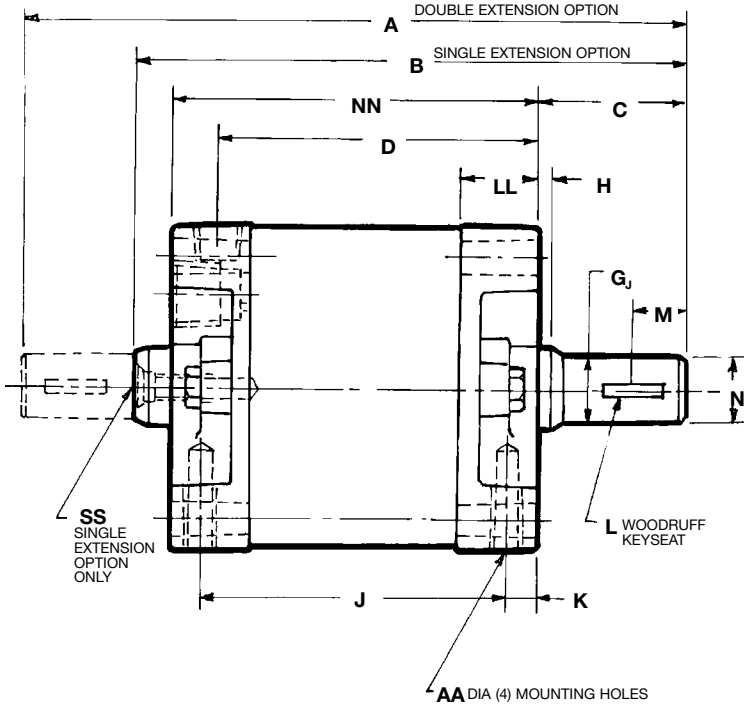
PROVIDING the “MUSCLE” for your lifting, turning, indexing, opening, closing, clamping, mixing, bending, testing, steering. . . **applications.**

PNEUMATIC LP MODELS

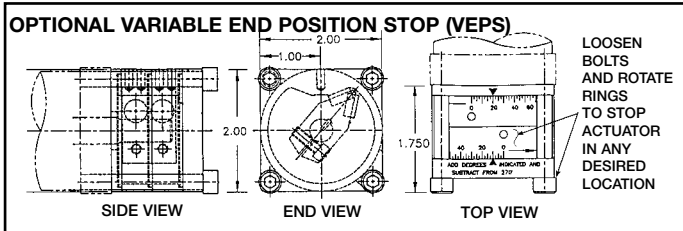
**SINGLE AND DOUBLE VANE
LOW PRESSURE 150 PSI MAX.**

LP-11, LP-12, LP-22 & LP-24

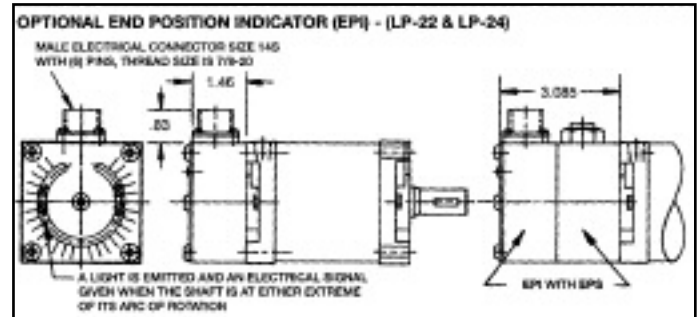
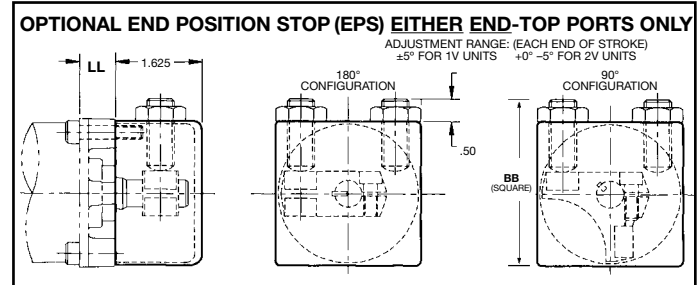
NOTE: ALL LP MODEL ACTUATORS ARE DESIGNED TO OPERATE ON DRY, NON-LUBRICATED AIR. CONSULT FACTORY FOR SPECIFIC RECOMMENDATIONS.



FOR LP-11 & LP-12



FOR LP-22 & LP-24



PERFORMANCE

SINGLE VANE 270° ROTATION (±1°)									
MODEL	TORQUE IN-LBS (N•m)					VOLUMETRIC DISP. IN ³ (cm ³)		WEIGHT Lb (Kg)	THRUST LOAD Lb (Kg)
	50 PSI (3.4 BAR)	75 PSI (5.2 BAR)	100 PSI (6.9 BAR)	125 PSI (8.6 BAR)	150 PSI (10.3 BAR)	Per 270°	Per RAD		
	LP-11	4 (.45)	7 (.79)	11 (1.24)	14 (1.58)	17 (1.92)	.839 (13.75)	.178 (2.92)	.58 (.26)
LP-12	10 (1.13)	16 (1.81)	23 (2.60)	29 (3.28)	36 (4.07)	1.68 (27.54)	.356 (5.83)	.75 (.34)	8 (3.63)
LP-22	25 (2.83)	41 (4.63)	57 (6.44)	73 (8.25)	89 (10.06)	3.86 (63.27)	.819 (13.42)	2.1 (.96)	12 (5.44)
LP-24	51 (5.76)	84 (9.49)	116 (13.11)	148 (16.72)	180 (20.34)	7.68 (125.9)	1.63 (26.72)	3.1 (1.41)	12 (5.44)

DOUBLE VANE 90° ROTATION (±1°)									
MODEL	TORQUE IN-LBS (N•m)					VOLUMETRIC DISP. IN ³ (cm ³)		WEIGHT Lb (Kg)	THRUST LOAD Lb (Kg)
	50 PSI (3.4 BAR)	75 PSI (5.2 BAR)	100 PSI (6.9 BAR)	125 PSI (8.6 BAR)	150 PSI (10.3 BAR)	Per 90°	Per RAD		
	LP-11	11 (1.24)	19 (2.15)	26 (2.94)	34 (3.84)	42 (4.75)	.559 (9.16)	.356 (5.83)	.62 (.28)
LP-12	26 (2.94)	43 (4.86)	59 (6.67)	75 (8.48)	92 (10.40)	1.12 (18.36)	.713 (11.69)	.81 (.37)	8 (3.63)
LP-22	58 (6.55)	94 (10.62)	130 (14.69)	166 (18.76)	202 (22.83)	2.56 (41.96)	1.63 (26.72)	2.2 (1.00)	12 (5.44)
LP-24	129 (14.58)	209 (23.62)	289 (32.66)	370 (41.81)	450 (50.85)	5.14 (84.24)	3.27 (53.60)	3.3 (1.51)	12 (5.44)

APPLICATION DATA DIMENSIONS IN INCHES (METRIC)

	LP-11	LP-12	LP-22	LP-24
A	4.00 (101.60)	5.00 (127.00)	6.32 (160.53)	8.32 (211.33)
B	3.18 (80.77)	4.18 (106.17)	5.25 (133.35)	7.25 (184.15)
C	1.00 (25.40)	1.00 (25.40)	1.41 (35.81)	1.41 (35.81)
D	1.75 (44.45)	2.75 (69.85)	3.06 (77.72)	5.06 (128.52)
G_J	.44 DIA. (11.18)	.44 DIA. (11.18)	.75 DIA. (19.05)	.75 DIA. (19.05)
H	.09 (2.29)	.09 (2.29)	.12 (3.05)	.12 (3.05)
J	1.63 (41.40)	2.63 (66.80)	2.63 (66.80)	4.63 (117.60)
K	.19 (4.80)	.19 (4.80)	.44 (11.18)	.44 (11.18)
L	1/16x1/2 #204 (1.59x12.70)	1/16x1/2 #204 (1.59x12.70)	1/8x5/8 #405 (3.18x15.88)	1/8x5/8 #405 (3.18x15.88)
M	.38 (9.65)	.38 (9.65)	.50 (12.70)	.50 (12.70)
N*	.3735 DIA. (9.487)	.3735 DIA. (9.487)	.6235 DIA. (15.837)	.6235 DIA. (15.837)
P_E	1/8-27 NPTF	1/8-27 NPTF	1/8-27 NPTF	1/8-27 NPTF
P_T	#10-32	#10-32	1/8-27 NPTF	1/8-27 NPTF
Q_E	.48 (12.19)	.48 (12.19)	.65 (16.51)	.65 (16.51)
Q_T	.44 (11.17)	.44 (11.17)	.65 (16.51)	.65 (16.51)
T**	1.030 (26.16)	1.030 (26.16)	1.530 (38.86)	1.530 (38.86)
V	.60 (15.24)	.60 (15.24)	.88 (22.35)	.88 (22.35)
Y	.84 (21.34)	.84 (21.34)	1.25 (31.75)	1.25 (31.75)
AA	#10-24 .38DP	#10-24 .38DP	1/4-20 .50DP	1/4-20 .50DP
BB	2.06 (52.32)	2.06 (52.32)	3.06 (77.72)	3.06 (77.72)
CC	.84 (21.34)	.84 (21.34)	1.25 (31.75)	1.25 (31.75)
LL	.50 (12.70)	.50 (12.70)	.75 (19.05)	.75 (19.05)
MM	.21 (5.33)	.21 (5.33)	.27 (6.86)	.27 (6.86)
NN	2.00 (50.80)	3.00 (76.20)	3.50 (88.90)	5.50 (139.70)
RR	.60 (15.24)	.60 (15.24)	.85 (21.59)	.85 (21.59)
SS	#10-24UNC-2B TAP .50 DEEP (12.70)	#10-24UNC-2B TAP .50 DEEP (12.70)	#1/4-20UNC-2B TAP .62 DEEP (15.75)	#1/4-20UNC-2B TAP .62 DEEP (15.75)

*± .0005 IN. (0.01 MM)

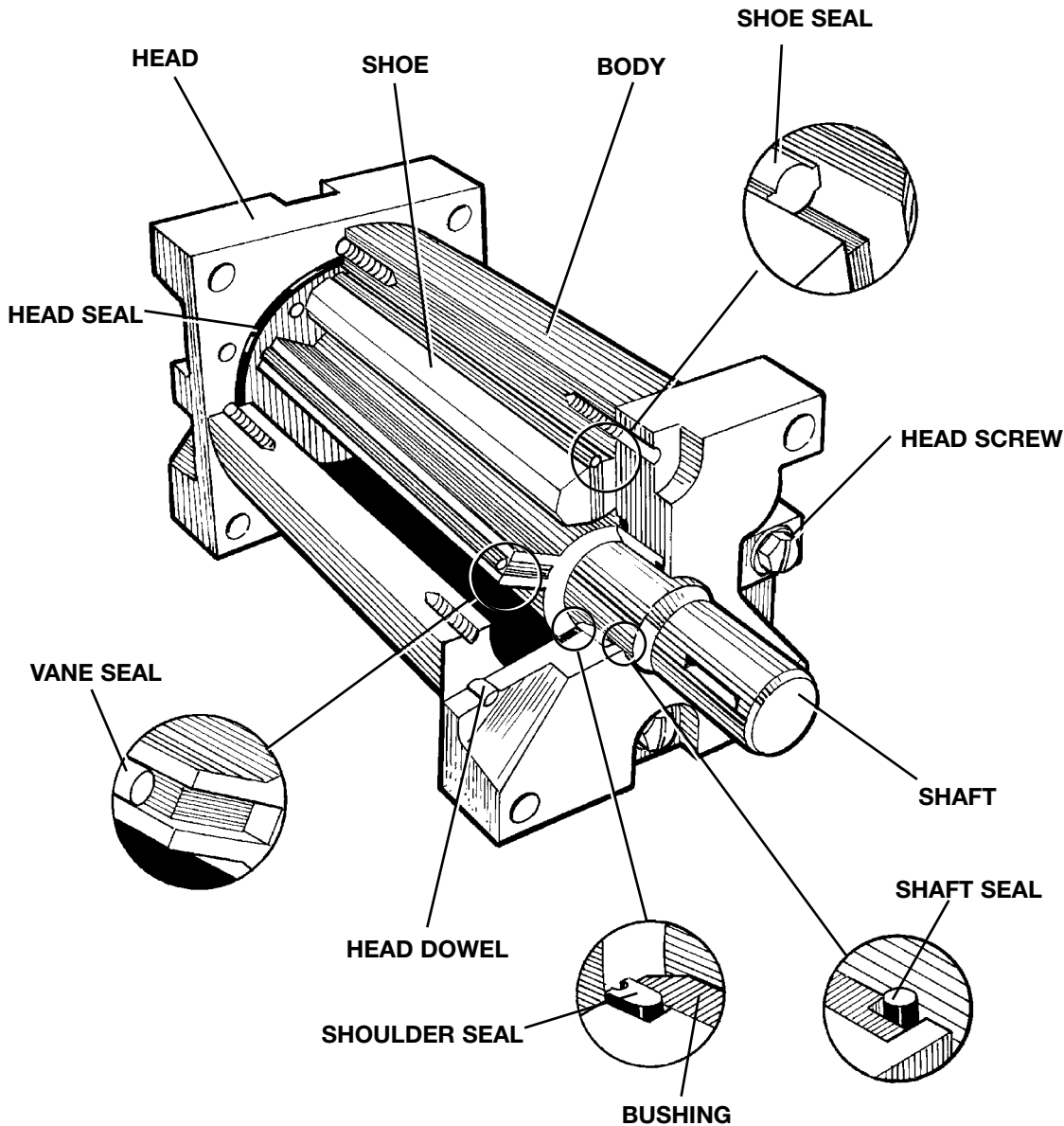
**± .005 IN. (0.13 MM)

TEST PARAMETERS — AIR			
MODEL	MAX BREAK PSI (BAR)	BY-PASS LEAKAGE-MAX ALLOWABLE	
		CUBIC FT. PER MIN. AT 100 PSI (6.9 BAR)	CUBIC CM. PER MIN. AT 100 PSI (6.9 BAR)
LP-11-1V	15 (1.03)	.20	5665
LP-11-2V	12 (.83)	.25	7080
LP-12-1V	12 (.83)	.20	5665
LP-12-2V	10 (.69)	.25	7080
LP-22-1V	10 (.69)	.20	5665
LP-22-2V	10 (.69)	.25	7080
LP-24-1V	10 (.69)	.20	5665
LP-24-2V	10 (.69)	.25	7080

IMPORTANT NOTES:

- External stops should be used to limit angular travel as the actuator abutments (shoes) are not designed as mechanical stops.
- Consult factory for applications requiring low breakaway and maximum torque output.

LP-11, LP-12, LP-22 & LP-24



HOW TO ORDER

Sample: LP 22 2V DE TP

Model _____

Size _____

Number of Vanes _____
 1V—Single Vane
 2V—Double Vane

Shaft Extension _____
 SE—Single Extension
 DE—Double Extension

Port Options _____
 TP—Top Ports
 EP—End Ports

OPTIONS

EPS2 EPI2

EPI ELECTRICAL POSITION INDICATOR*			
SIZE	SWITCH TYPE	FUNCTION	SWITCHING VOLTAGE
1	REED SWITCH	SPST NORMALLY OPEN	5-120 VDC/VAC 50/60 HZ
2	HALL EFFECT SOURCING	NORMALLY OPEN PNP OUTPUT	6-24 VDC
3	HALL EFFECT SINKING	NORMALLY OPEN NPN OUTPUT	6-24 VDC

*For LP-22, LP-24 only at this time

VERS (For LP-11 and LP-12 only)
 EPS1/180° (LP-22 and LP-24 only)
 EPS2/90° (LP-22 and LP-24 only)

In order that your actuator order be processed promptly, please furnish complete information as shown by example. For special seal compounds or other special features, please consult Micromatic.